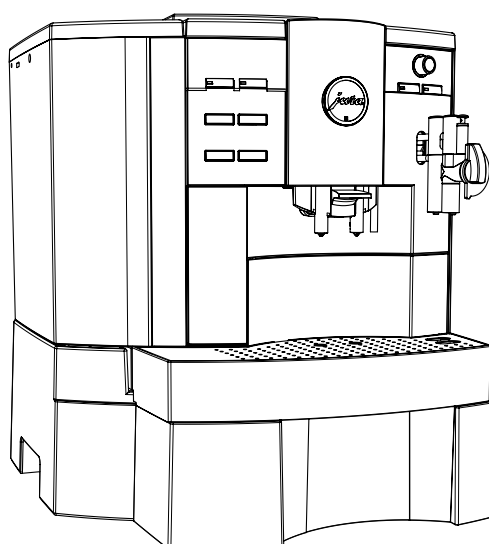


Technical documentation

IMPRESSA Xs9 Classic



Supplied as standard

- Automatic speciality coffee machine
- Cappuccino cleaner, 100 ml
- Welcome Pack:
 - Instructions for use
 - Cleaning tablets
 - Air intake pipe
 - Silicone hose and connector

Requirements for installation location

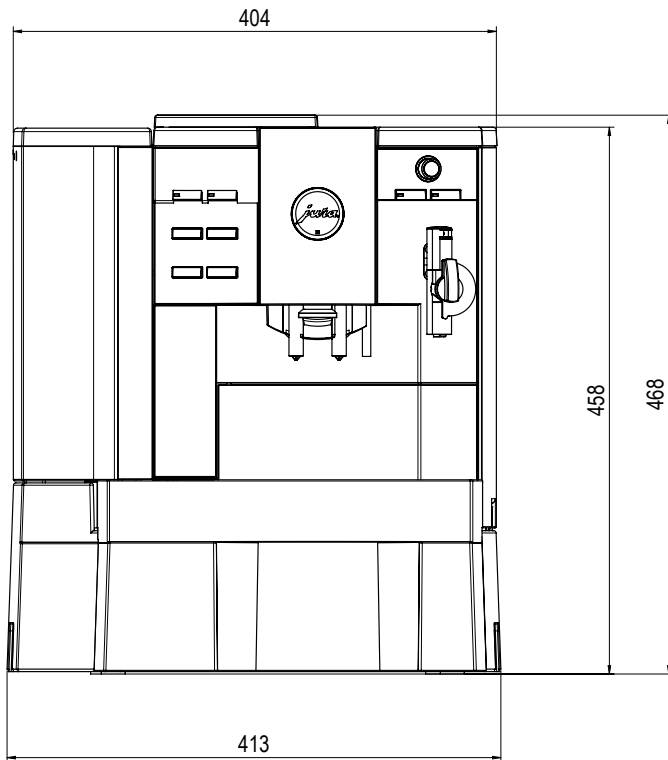
- Horizontal surface that is not sensitive to water
- Ambient conditions:
 - Air humidity max. 80%
 - Ambient temperature 10–35°C

i The required connections at the customer's premises must be carried out by an approved **qualified person** before the JURA service technician can set up the GIGA at your chosen location.

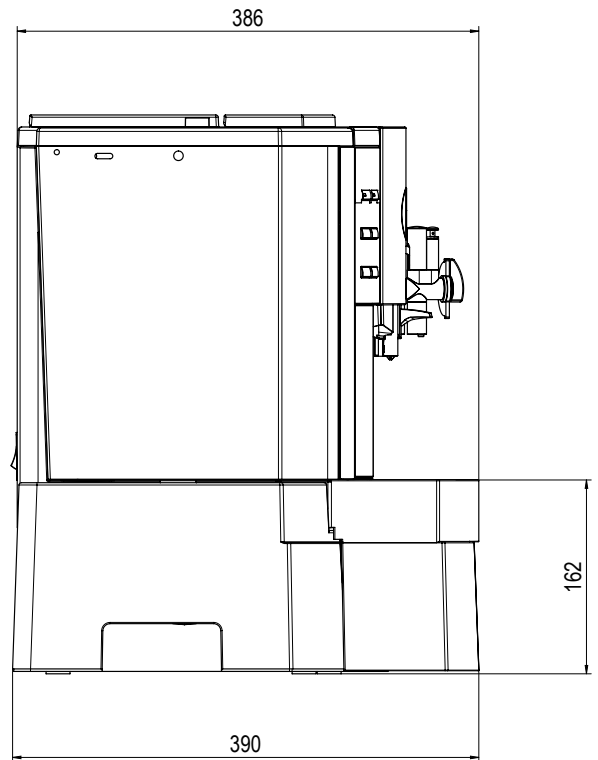
i Please make sure that the building connections are as close as possible to the location of the machine (refer to length of connection pipes).

Always note the information in the instructions for use for your coffee machine (Chapter 1 "Preparing and using for the first time" – "Requirements for first-time use" / "Setting up").

Dimensions

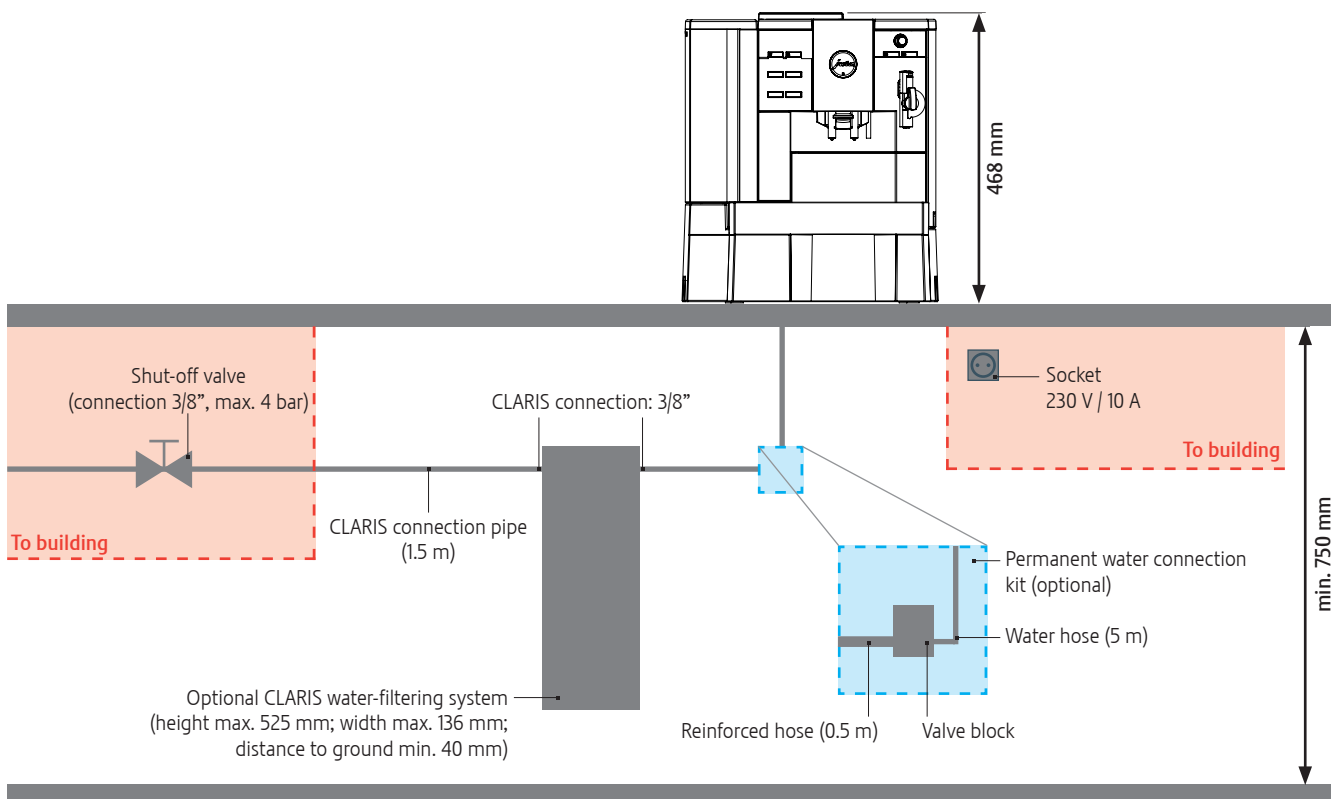


Outline

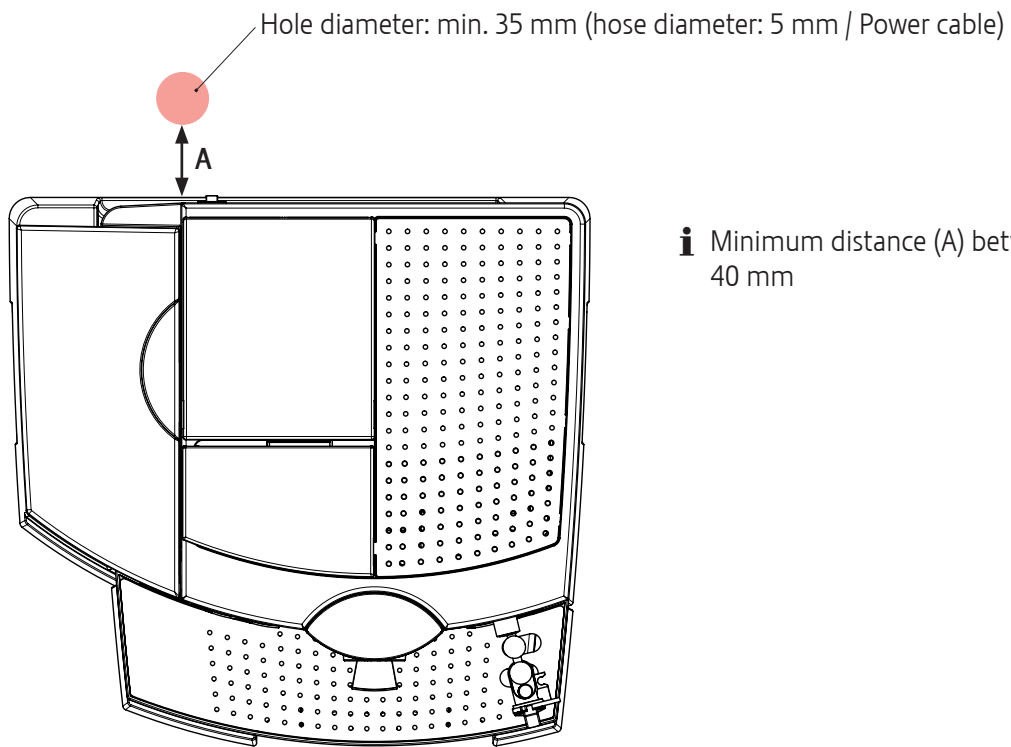


Side outline

General space needed



Position of hole in work surface for permanent water connection



i Minimum distance (A) between hole and machine:
40 mm